

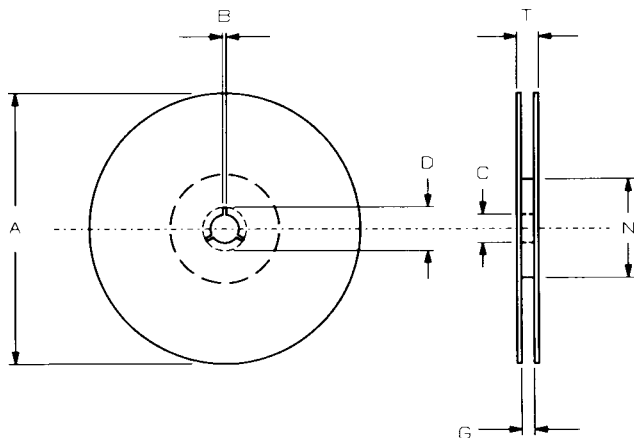
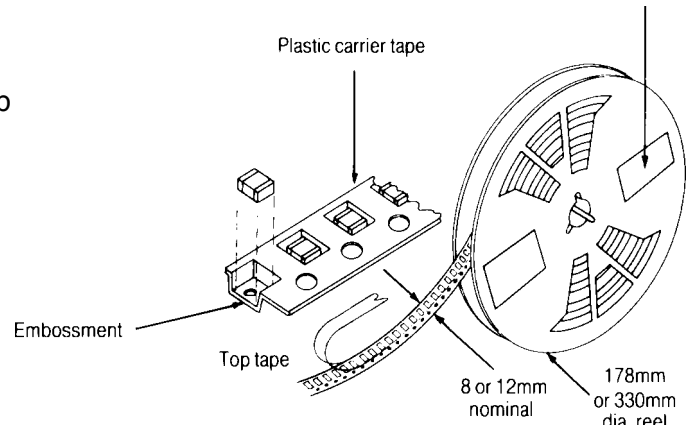
PACKAGING

TAPE & REEL PACKAGING

TAPE & REEL packing of surface mounting chip capacitors for automatic placement are in accordance with IEC 286-3 and EIA RS-481.

REEL FOR TAPING

Reel Dimensions mm

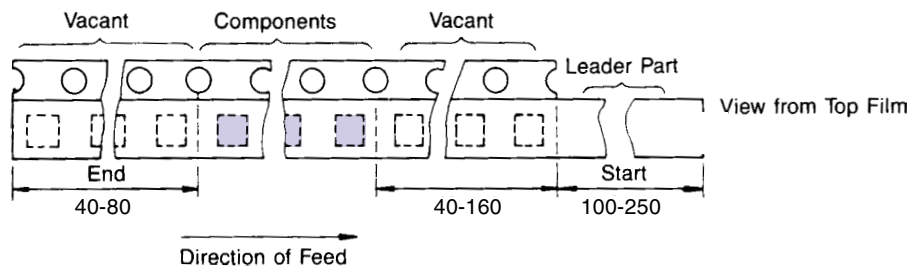


Symbol	Description
A	Reel diameter
B	Drive spoke width
C	Reel centre hole diameter
D	Drive sprocket diameter
N	Reel hub diameter
G	Reel inside width
T	Reel outside width

Reel Dimensions in mm

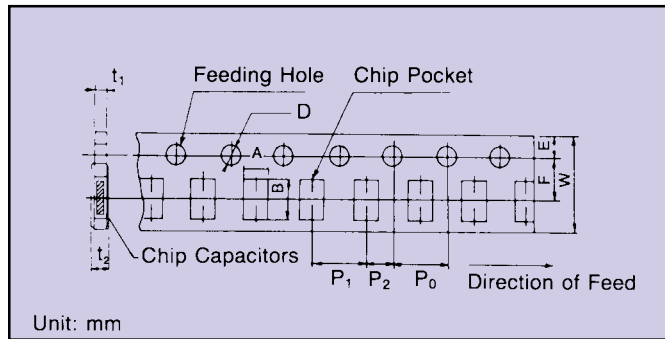
TAPE SIZE	A	N	C	D	B	G	T	TYPE
8 mm	178 ± 2.0	50 min.	13.0 ± 0.5	20 min.	2.0	10.0 ± 1.5	14.9 max.	0402, 0603, 0805, 1206
12 mm	178 ± 2.0	50 min.	13.0 ± 0.5	20 min.	2.0	10.0 ± 1.5	14.9 max.	1812, 2220, 2225

The Start and End of the Winding Operation



(Unit: mm)

CARDBOARD TAPE DIMENSIONS IN MM



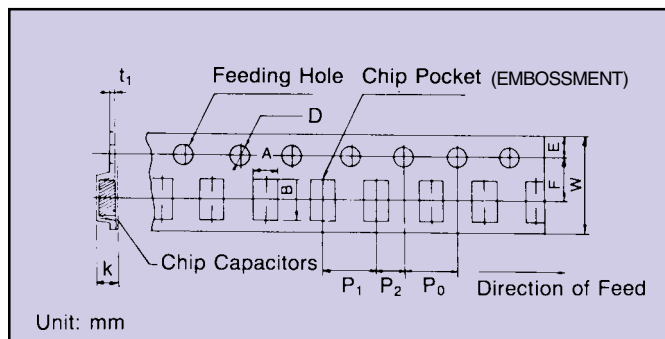
STANDARD 7 INCH REEL QUANTITIES*

SIZE	0402	0603	0805	1206
TAPE SIZE	8 mm	8 mm	8 mm	8 mm
MIN QTY PER REEL	10,000	4000	4000	4000
MAX QTY PER REEL	10,000	4000	5000	5000

* QTY DEPENDENT ON CHIP THICKNESS

TYPE	A	B	W	F	E	P ₁	P ₂	P ₀	D	t ₁	t ₂	Mounting Hole
0402	0.65 ± 0.05	1.15 ± 0.05	8.0 ± 0.3	3.5 ± 0.05	1.75 ± 0.1	4.0 ± 0.1	2.0 ± 0.05	4.0 ± 0.1	1.5 ± 0.1	1.1 max	1.4 max	Angular punch hole
0603	1.1 ± 0.2	1.9 ± 0.2										
0805	1.65 ± 0.2	2.4 ± 0.2										
1206	2.0 ± 0.2	3.6 ± 0.2										

EMBOSSSED PLASTIC CARRIER TAPE DIMENSIONS IN MM



STANDARD 7 INCH REEL QUANTITIES*

SIZE	0805	1206	1210	1812	2220	2225
TAPE SIZE	8 mm	8 mm	8 mm	12 mm	12 mm	12 mm
MIN QTY PER REEL	2000	2000	2000	1000	1000	1000
MAX QTY PER REEL	5000	5000	5000	2000	1000	1000

* QTY DEPENDENT ON CHIP THICKNESS

TAPE SIZE	W	F	E	P ₁	P ₂	P ₀	D	t ₁ max	K max	Mounting Hole
8 mm	8.0 ± 0.2	3.5 ± 0.5	1.75 ± 0.5	4.0 ± 0.1	2.0 ± 0.5	4.0 ± 0.1	1.5 ± 0.1	0.3	2.0	Angular embossed hole
12 mm	12 ± 0.2	5.5 ± 0.5	1.75 ± 0.5	8.0 ± 0.1	2.0 ± 0.5	4.0 ± 0.1	1.5 ± 0.1	0.3	4.5	